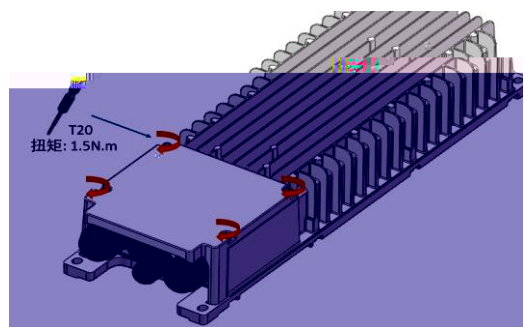
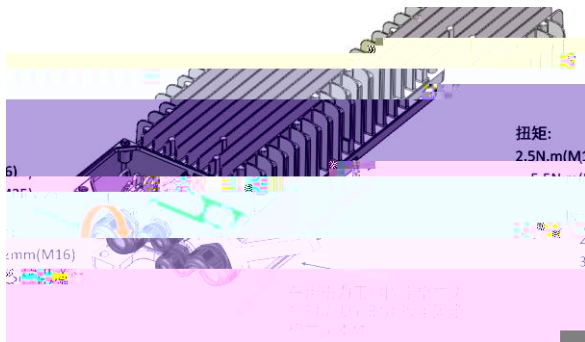
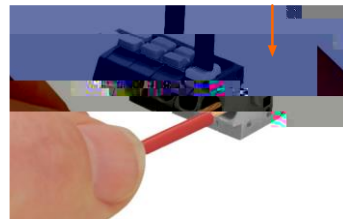


1.



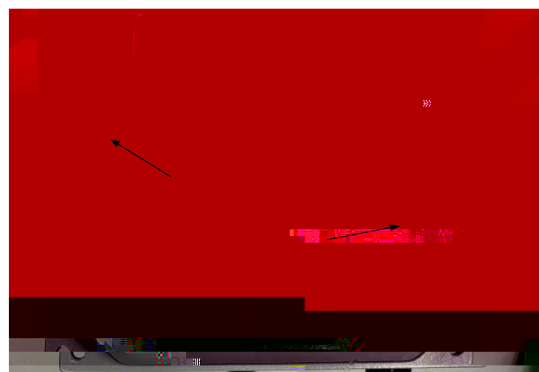
a.

b.



6.35mm

c.



2.

a a

a ■

a.

/

e.

LED

class2 SELVE

120S

<https://www.inventronics-co.com/wp-content/uploads/2018/09/Installation-Instructions>

E-

	AC Input	DC Output	Dimming (SELV)	Housing
AC Input	/	No isolation	3920Vac	1960Vac